

MS765

PRESSURE SENSOR DIE (0-0.5 BAR)



- 0 to 50 kPa range (0.5 bar or 7.25 PSI)
- Absolute/differential pressure sensors
- Medical/industrial applications
- RoHS-compatible & Pb-free¹

DESCRIPTION

The sensor element of the MS765 consists of a silicon micro-machined membrane. Implanted resistors make use of the piezo-resistive effect to sense the membrane deflection and transform it in an electrical signal. This sensor, which has outstanding span values, is available in various configurations. The absolute pressure sensor employs a sealed vacuum reference cavity underneath the membrane. The Pyrex glass wafer used for this sealing has a thickness of 0.2 mm (MS765-A_0.2) or 0.5 mm (MS765-A_0.5). There are two gauge versions available: one with a drilled Pyrex glass (MS765-D) and the other without Pyrex glass (MS765-S).

FEATURES

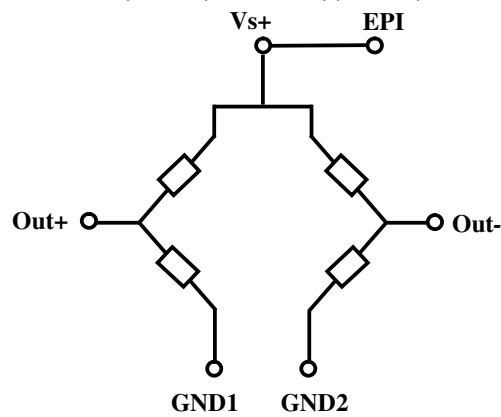
- Uncompensated pressure sensor die
- Output Span 170 mV @ 500 mbar & 5V
- Temperature Range -40°...+125°C
- Linearity 0.05% (typical)
- Small Die Size 1.96 x 2.10 mm (MS765-A)
- Low Cost, High reliability

APPLICATION

- Absolute/Differential pressure sensor systems
- Variometers
- Liquid level control
- Blood pressure meters
- Industrial applications

ELECTRICAL CONNECTIONS

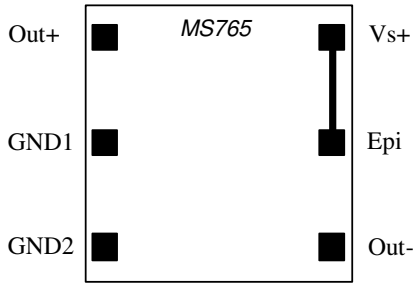
Positive output for pressure applied topside



- Vs+ : Supply voltage of Wheatstone bridge
- Epi : Connection of epitaxial layer (membrane)
- Out- : Negative output
- Out+ : Positive output
- GND1 : Ground
- GND2 : Ground

深圳市新世联科技有限公司

BOND PAD CONFIGURATION



Important remarks:

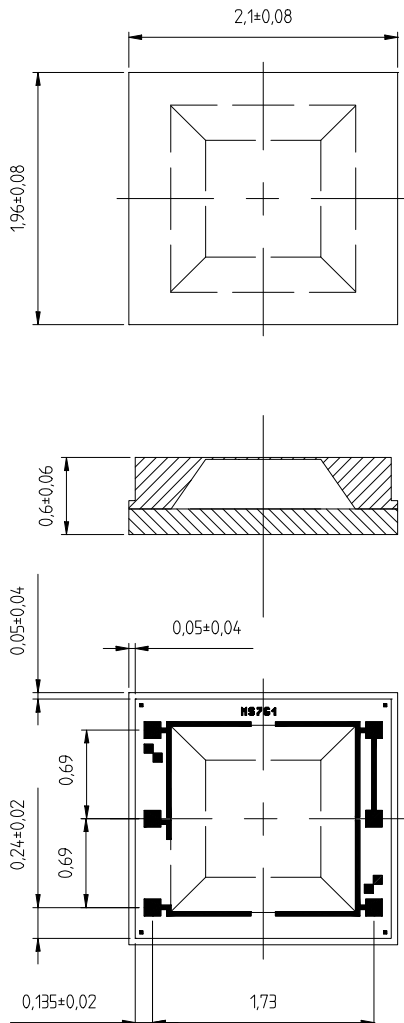
As the sensing elements are diffused resistances, the voltage applied on the ground pads (GND1 and GND2) has to be lower than the voltage applied on supply voltage pad (Vs+).

The epitaxial layer is connected to the Vs+ pin on the die.

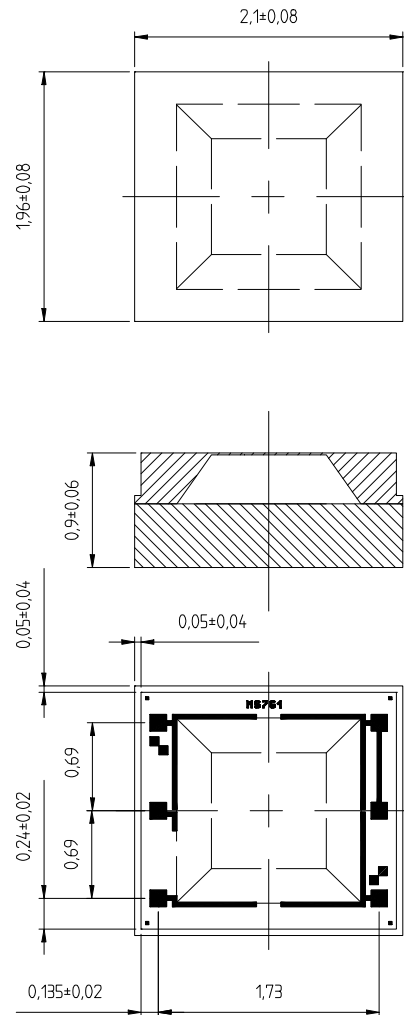
Gold ball bonding or aluminium wedge bonding can be used to wire-bond the sensor. The quality of the wire-bonding is equipment and process dependant. For this reason, it is strongly recommended that a thorough wire-bonding qualification is made by the end user if the sensor is going to be operated over an extended temperature range.

LAYOUT (Absolute sensors)

MS765-A_0.2



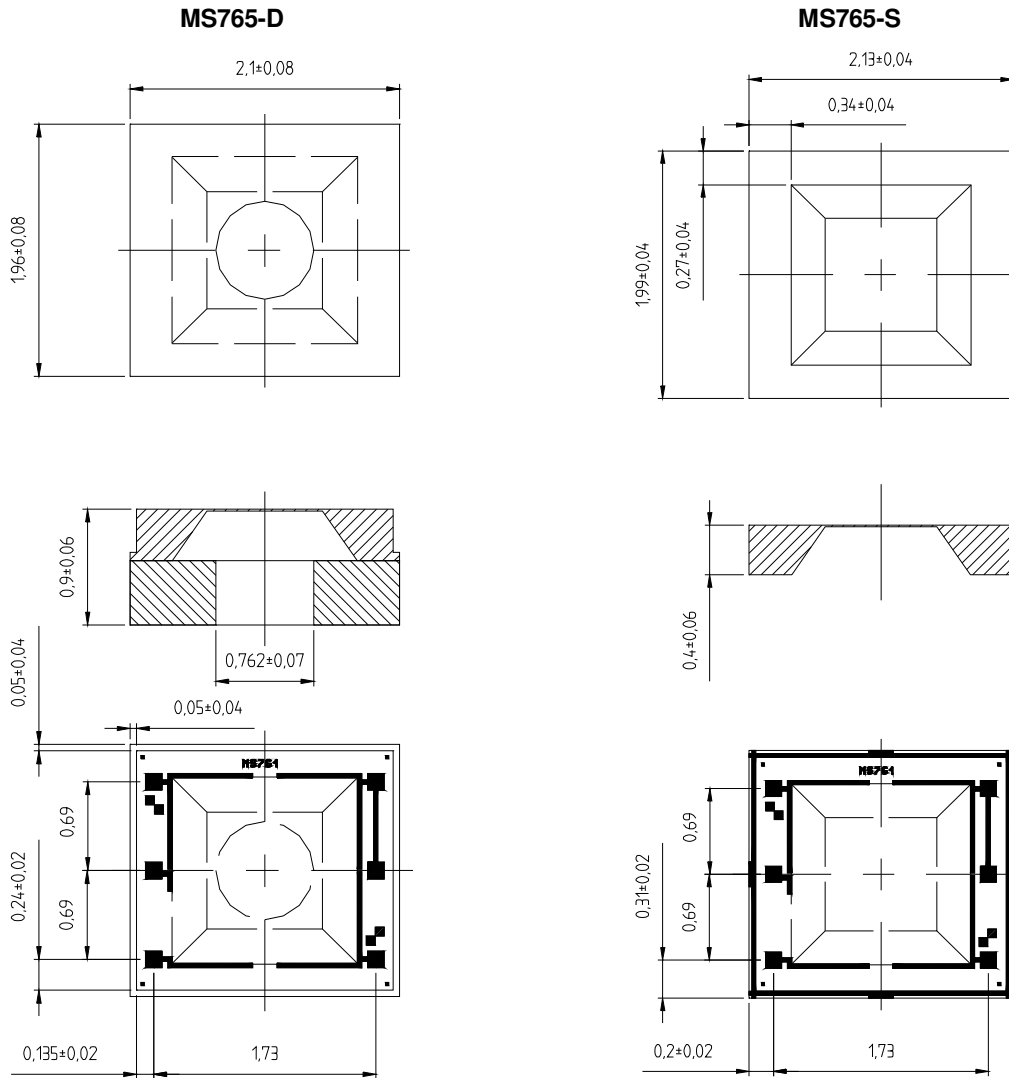
MS765-A_0.5



Pad opening in passivation is 100 μ m

深圳市新世联科技有限公司

LAYOUT (Gauge sensors)



Pad opening in passivation is 100 μ m

FULL SCALE PRESSURE

kPa	bar	mbar	PSI	atm	mm Hg	m H ₂ O	Inches H ₂ O
50	0.5	500	7.5	0.5	375	5.1	200

ABSOLUTE MAXIMUM RATINGS

Parameter	Symbol	Conditions	Min	Max	Unit
Supply voltage	VS+	T _a = 25 °C		20	V
Storage temperature	T _s		-40	+150	°C
Pressure overload				3	Bar

深圳市新世联科技有限公司

ELECTRICAL CHARACTERISTICS

(Reference conditions: Supply Voltage VS+ = 5 Vdc; Ambient Temperature Ta = 25°C)

Parameter	Min	Typ	Max	Unit	Notes
Operating Pressure Range	0		0.5	Bar	
Operating Temperature Range	-40		125	°C	
Bridge Resistance	3.0	3.4	3.8	kΩ	
Span (FS) @ 500 mbar	150	170	190	mV	
Span (FS) @ 250 mbar	75	85	95	mV	
Span (FS) @ 50 mbar	13	17	20	mV	
Zero Pressure Offset	-40	0	40	mV	
Linearity		± 0.05	± 0.2	% FS	1
Temperature Coefficient of Resistance Span Offset	+ 2400 - 1500 - 80	+ 2800 - 1900	+ 3300 - 2300 + 80	ppm/°C ppm/°C μV/°C	2
Pressure Hysteresis		± 0.05	± 0.15	% FS	3
Repeatability		± 0.05	± 0.15	% FS	4
Temperature Hysteresis			0.3	% FS	5

NOTES

- 1) Deviation at one half full-scale pressure from the least squares best line fit over pressure range (0 to 0.5 bar).
- 2) Slope of the endpoint straight line from 25°C to 60°C.
- 3) Output deviation at any pressure within the specified range, when this pressure is cycled to and from the minimum or maximum rated pressure, at 25°C.
- 4) Same as 3) after 10 pressure cycles
- 5) Maximum difference in offset after one thermal cycle from -40°C to +125°C.

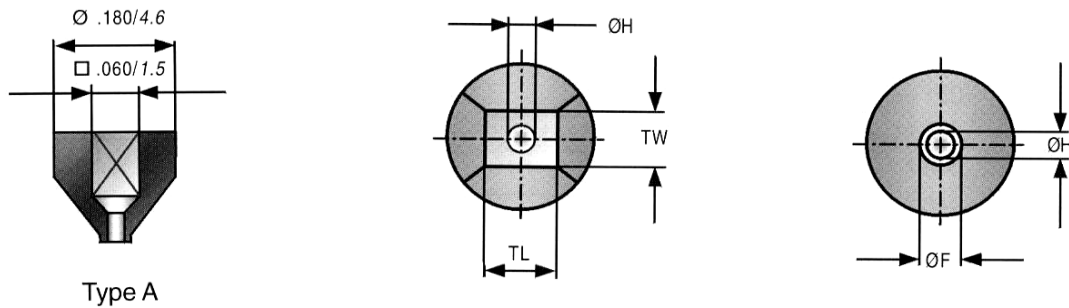
深圳市新世联科技有限公司

PICKING TOOLS

The MS765 sensors have a sensitive membrane size of 0.95 x 0.95 mm and outer dimensions of 2.1 x 1.96 mm (MS765-A_0.2, MS765-A_0.5 and MS765-D) and 2.13 x 1.99 mm (MS765-S). The pick and place tool has to be of a soft material such as rubber (Hardness 78-97 Shore A). Its external size must fit the sensor and the vacuum cavity must be as large as the membrane itself. Successful tests have been made with specific SPT tools, see SPT drawing and references below.

Ensure that the ejection pins do not touch the membrane for gauge versions.

SPT references	RTR-A1-060x060	CTR-A1-080
External dimension	TL & TW: 0.06 inch / 1.52 mm	∅F: 0.08 inch / 2.03 mm
Internal dimensions	∅H: 0.035 inch / 0.89 mm	∅H: 0.035 inch / 0.89 mm



ORDERING INFORMATION

Product Code	Type	Product	Art.-Nr.
MS765-A_0.2	Absolute	0.5 bar Pressure Sensors 0.2 mm Pyrex sawn on b/f	76525022
MS765-A_0.5	Absolute	0.5 bar Pressure Sensors 0.5 mm Pyrex sawn on b/f	76525021
MS765-D	Differential	0.5 bar Pressure Sensors sawn on b/f	76525121
MS765-S	Differential	0.5 bar Pressure Sensors no Pyrex sawn on b/f	76525221

The MS765 dice are supplied sawn on blue foil, mounted on plastic rings

深圳市新世联科技有限公司