

FS20 Series Load Cells

LOW COST

Compression Forces from 750 to 1500 Grams Force

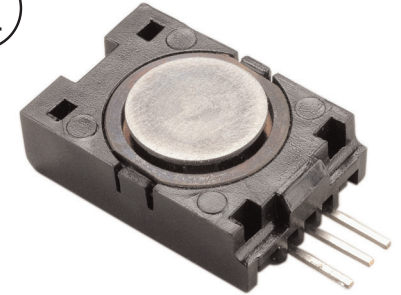
High Level Output

Interchangeable

Industry Standard Packaging

DESCRIPTION

The FS20 Series Low Cost Compression Force Sensor creates new markets previously unrealizable due to cost and performance constraints. This series raises the bar in price and performance. MSI Sensors' proprietary Microfused™ technology, derived from demanding aerospace applications, employs micro-



machined silicon piezoresistive strain gages fused with high temperature glass to a high performance stainless steel substrate. Microfused™ technology eliminates age-sensitive organic epoxies used in classical load cell designs providing excellent long term span and zero stability.

Operating at exceedingly low strains, Microfused™ technology provides gage factors greater than 100, an essentially unlimited cycle life expectancy, superior resolution, exceedingly high over-range margins without the need for stops and a ratiometric span of 3V. Microfused™ sensors are used in a variety of applications including bathroom scales, paint sprayers and safety-critical automotive brake sensors.

Unlike competitive designs which use a pressure capsule embedded within a silicone gelfilled cavity the FS20 measures direct force. The FS20 is therefore not subject to lead-die fatigue failure common with competitive designs. The FS20 is the OEM designer's dream-come-true; cost-optimized to bring your OEM products to life whether you need thousands or millions of load cells annually. Although the standard model is ideal for a wide range of applications, our dedicated design team at our Load Cell Engineering Center is ready to provide you with custom designs for your OEM applications. The FS20 is fully thermally compensated for changes in zero and span with respect to temperature and offers normalized zero and span for interchangeability. Consult MSI for uncompensated super low cost variants of the FS20.

FEATURES

- ◆ Low cost
- ◆ Small size
- ◆ Low noise
- ◆ Robust: high overrange capability
- ◆ High reliability
- ◆ Low deflection
- ◆ Essentially unlimited cycle life expectancy
- ◆ Low off center errors
- ◆ Fast response time
- ◆ Industry standard packaging
- ◆ 750 to 1500 gram force ranges
- ◆ Reverse polarity protected

APPLICATIONS

- ◆ Robotics end-effectors
- ◆ Variable force control
- ◆ Load and compression sensing
- ◆ Pumps
- ◆ Contact sensing
- ◆ Weighing
- ◆ Household appliances

CE compliant per the following specifications:

IEC61000-4-2	[4 KV/4 KV (Air/Contact)]
IEC61000-4-3	(3 V/m)
IEC55022	Class A

深圳市新世联科技有限公司

FS20 Series Load Cells

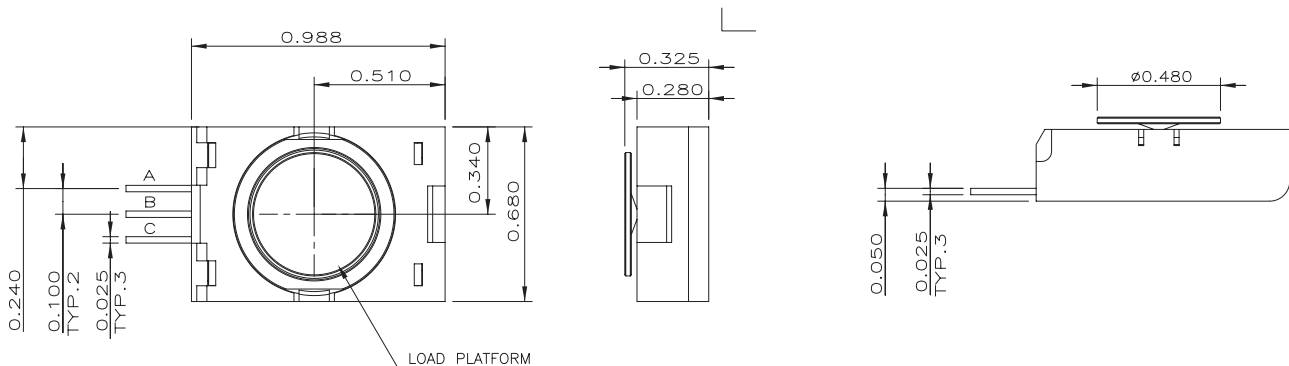
performance specifications

Standard ranges FS20	1.5, 3 Lbf (750, 1500 Grams Force) Compression
Maximum Overload	10 Lbf (4.5 Kgf)
Recommended Excitation Voltage(Amplified/Ratiometric)	3.3 to 5.0 VDC (1)
Output Span (Amplified/Ratiometric)	1 to 4V +/- 5% of Span at 5 VDC excitation
Combined Non-linearity, Hysteresis and Nonrepeatability	<+/- 1% FSO
Creep 20 Minutes at Full Rated Input	0.5% FSO Typical
Operating Temperature Range	0° C to 70° C
Temperature Compensation	5° C - 50° C
Thermal Zero Shift	<+/-0.05%FS/°C
Thermal Sensitivity Shift	<+/-0.05%FS/°C
Storage Temperature Range	- 20° C to 85° C
Humidity	0 - 90% RH
Deflection at Rated Load	< 0.05 mm
Isolation Resistance	> 50 Mohms@250 VDC

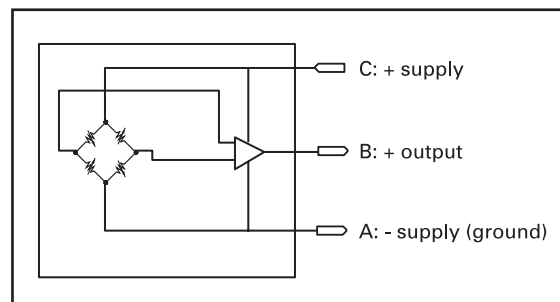
1) Higher excitation voltages available on request.

2) Lower trim values available on request (FSO: Full Scale Output)

dimensions



High Level Amplified Output



ordering information

Family	Body	Output	Connection	Specials	Range	Multiplier	Units
Sample PN: FS	20	5	0	0000	1500	-	G
FS20: Compression		5: 1 - 4 V FSO @ 5 VDC input	0 = Pin output	Reserved for custom designs	FS20: 750, 1500 gram-force	none	G = Gram-force

深圳市新世联科技有限公司