

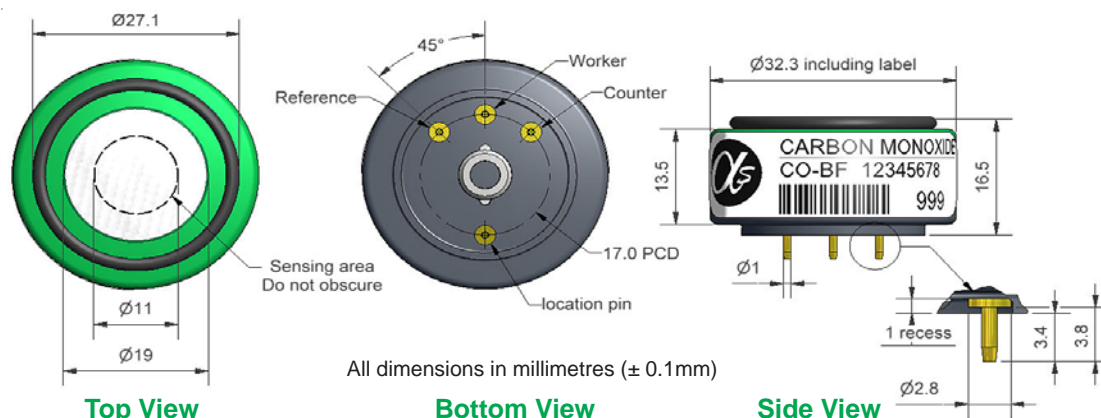


CO-BF Carbon Monoxide Sensor



PATENTED

Figure 1 CO-BF Schematic Diagram



Technical Specification

PERFORMANCE	Parameter	Specification	Range
	Sensitivity	nA/ppm in 400ppm CO	80 to 130
	Response time	t_{90} (s) from zero to 400ppm CO	< 25
	Zero current	ppm equivalent in zero air	< ± 4
	Resolution	RMS noise (ppm equivalent)	< 0.5
	Range	ppm limit of performance warranty	5,000
	Linearity	ppm CO error at full scale, linear at zero, 1000ppm CO	< ± 30
	Overgas limit	maximum ppm for stable response to gas pulse	10,000

LIFETIME	Parameter	Specification	Range
	Zero drift	ppm equivalent change/year in lab air	< 0.1
	Sensitivity drift	% change/year in lab air, monthly test	< 3
	Operating life	months until 80% original signal (24 month warranted)	> 24

ENVIRONMENTAL	Parameter	Specification	Range
	Sensitivity @ -20°C	% (output @ -20°C/output @ 20°C) @ 400ppm CO	70 to 88
	Sensitivity @ 50°C	% (output @ 50°C/output @ 20°C) @ 400ppm CO	102 to 115
	Zero @ -20°C	ppm equivalent change from 20°C	< -1 to +4
	Zero @ 50°C	ppm equivalent change from 20°C	< ± 6

CROSS SENSITIVITY	Filter capacity	ppm-hrs	Gas	Capacity
	Filter capacity	ppm-hrs	H ₂ S	250,000
	Filter capacity	ppm-hrs	NO ₂	120,000
	Filter capacity	ppm-hrs	NO	120,000
	Filter capacity	ppm-hrs	SO ₂	160,000
	H ₂ S sensitivity	% measured gas @ 20ppm	H ₂ S	< 0.1
	NO ₂ sensitivity	% measured gas @ 10ppm	NO ₂	< 0.1
	Cl ₂ sensitivity	% measured gas @ 10ppm	Cl ₂	< 0.1
	NO sensitivity	% measured gas @ 50ppm	NO	< 25
	SO ₂ sensitivity	% measured gas @ 20ppm	SO ₂	< 0.1
	H ₂ sensitivity	% measured gas @ 400ppm	H ₂ at 20°C	< 65
	C ₂ H ₄ sensitivity	% measured gas @ 400ppm	C ₂ H ₄	< 65
	NH ₃ sensitivity	% measured gas @ 20ppm	NH ₃	< 0.1

KEY SPECIFICATIONS	Parameter	Specification	Range
	Temperature range	°C	-30 to 50
	Pressure range	kPa	80 to 120
	Humidity range	% rh continuous	15 to 90
	Storage period	months @ 3 to 20°C (stored in sealed pot)	6
	Load resistor	Ω (recommended)	10 to 47
	Weight	g	< 13



At the end of the product's life, do not dispose of any electronic sensor, component or instrument in the domestic waste, but contact the instrument manufacturer, Alphasense or its distributor for disposal instructions.

ApolloSense Ltd



CO-BF Performance Data

Technical Specification

Figure 2 Sensitivity Temperature Dependence

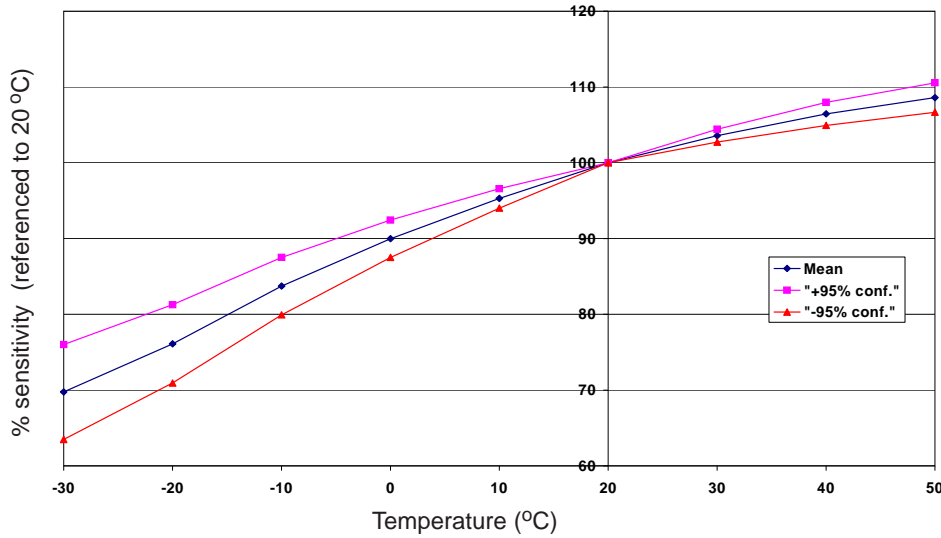
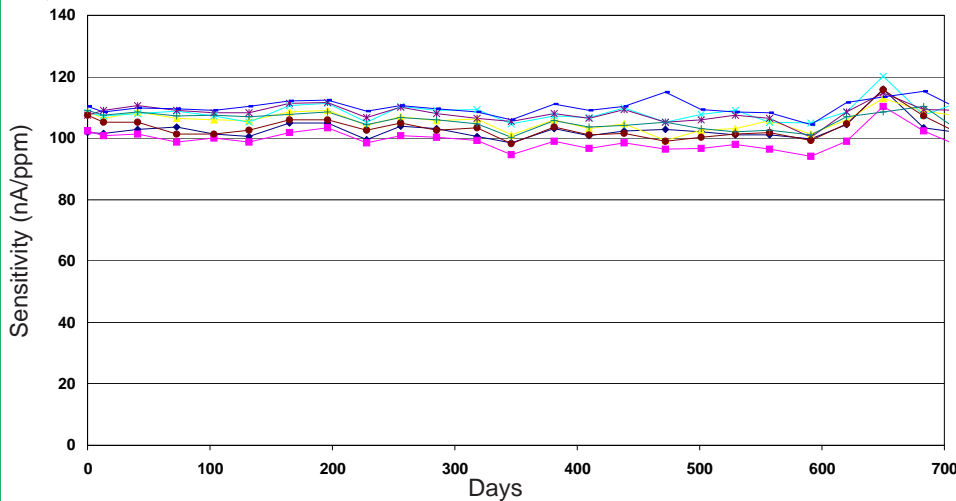


Figure 2 shows the variation in sensitivity caused by changes in temperature.

This data is taken from a typical batch of sensors. The mean and $\pm 95\%$ confidence intervals are shown.

Figure 3 Sensitivity Long Term Stability



When sensors are tested monthly, their very good stability shows that they can be used in fixed sites, where maintenance and recalibration costs are important.

Figure 4 Response to 1% CO

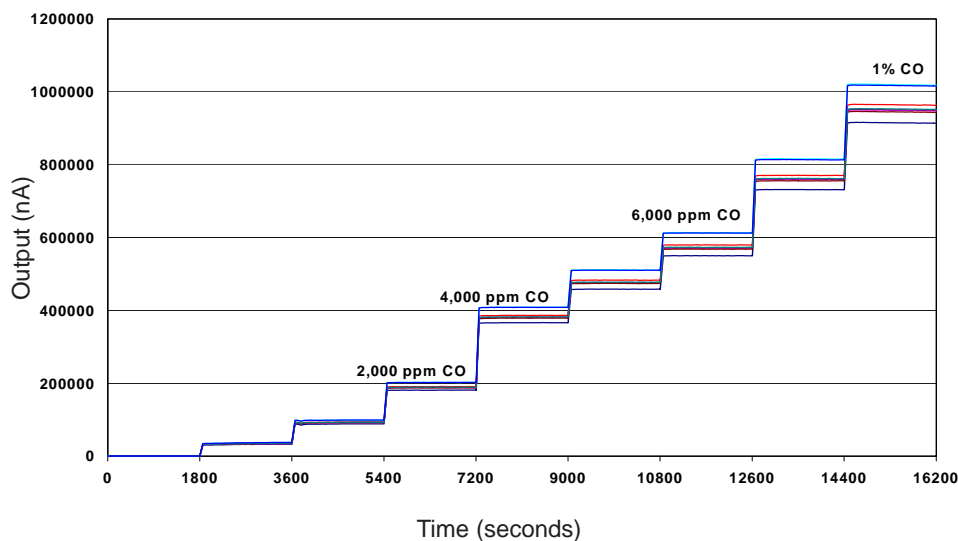


Figure 4 shows the response to step changes in CO concentrations from zero to 1% by volume.