



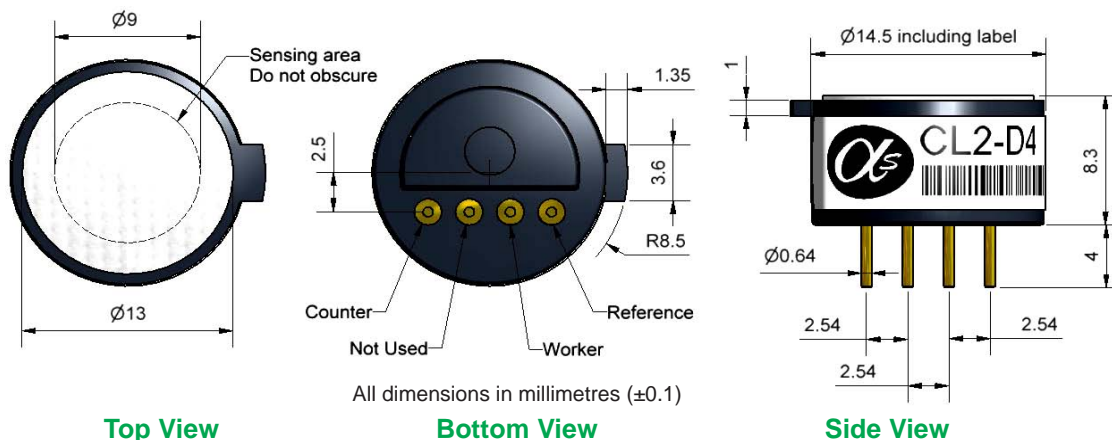
CL2-D4 Chlorine Sensor

Miniature Size



PATENTED

Figure 1 CL2-D4 Schematic Diagram



Technical Specification

PERFORMANCE	Sensitivity	nA/ppm in 10ppm Cl ₂	-200 to -450
	Response time	t ₉₀ (s) from zero to 10ppm Cl ₂	< 35
	Zero current	ppm equivalent in zero air	± 0.8
	Resolution	RMS noise (ppm equivalent)	< 0.1
	Range	ppm Cl ₂ limit of performance warranty	20
	Linearity	ppm error at full scale, linear at zero and 10ppm Cl ₂	± 0.5
	Overgas limit	maximum ppm for stable response to gas pulse	60
LIFETIME	Zero drift	ppm equivalent change/year in lab air	nd
	Sensitivity drift	% change/month in lab air, twice monthly test	nd
	Operating life	months until 80% original signal (24 month warranted)	> 24
ENVIRONMENTAL	Sensitivity @ -20°C	% (output @ -20°C/output @ 20°C) @ 10ppm Cl ₂	80 to 110
	Sensitivity @ 50°C	% (output @ 50°C/output @ 20°C) @ 10ppm Cl ₂	95 to 125
	Zero @ -20°C	ppm equivalent change from 20°C	-0.4 to 0.4
	Zero @ 50°C	ppm equivalent change from 20°C	0 to 0.5
CROSS SENSITIVITY	H ₂ S sensitivity	% measured gas @ 20ppm H ₂ S	< -20
	NO ₂ sensitivity	% measured gas @ 10ppm NO ₂	< 80
	NO sensitivity	% measured gas @ 50ppm NO	< 0.5
	SO ₂ sensitivity	% measured gas @ 20ppm SO ₂	< 1
	CO sensitivity	% measured gas @ 400ppm CO	< 0.1
	H ₂ sensitivity	% measured gas @ 400ppm H ₂	< 0.1
	C ₂ H ₄ sensitivity	% measured gas @ 400ppm C ₂ H ₄	< 0.1
NH ₃ sensitivity	% measured gas @ 20ppm NH ₃	< 0.1	
KEY SPECIFICATIONS	Temperature range	°C	-20 to 50
	Pressure range	kPa	80 to 120
	Humidity range	%rh (see note below)	15 to 90
	Storage period	months @ 3 to 20°C (stored in sealed pot)	6
	Load resistor	Ω (for optimum performance)	33
	Weight	g	< 2

Note: Above 85% rh and 40°C a maximum continuous exposure period of 10 days is warranted. Where such exposure occurs the sensor will recover normal electrolyte volumes when allowed to rest at lower % rh and temperature levels for several days.



At the end of the product's life, do not dispose of any electronic sensor, component or instrument in the domestic waste, but contact the instrument manufacturer, Alphasense or its distributor for disposal instructions.

ApolloSense Ltd



CL2-D4 Performance Data

Technical Specification

Figure 2 Response to 10ppm Cl₂

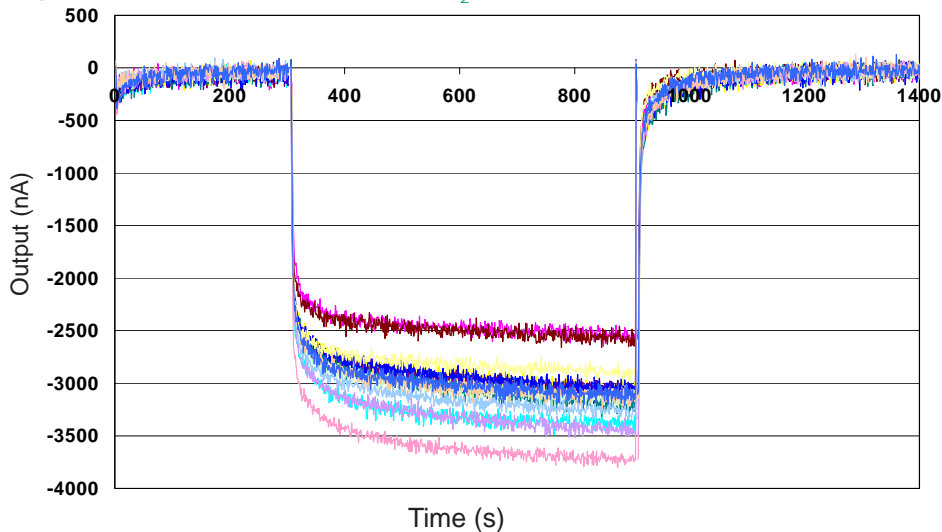


Figure 2 shows response to 10ppm Cl₂. This data is taken from a typical batch of sensors.

Figure 3 Zero Temperature Dependence

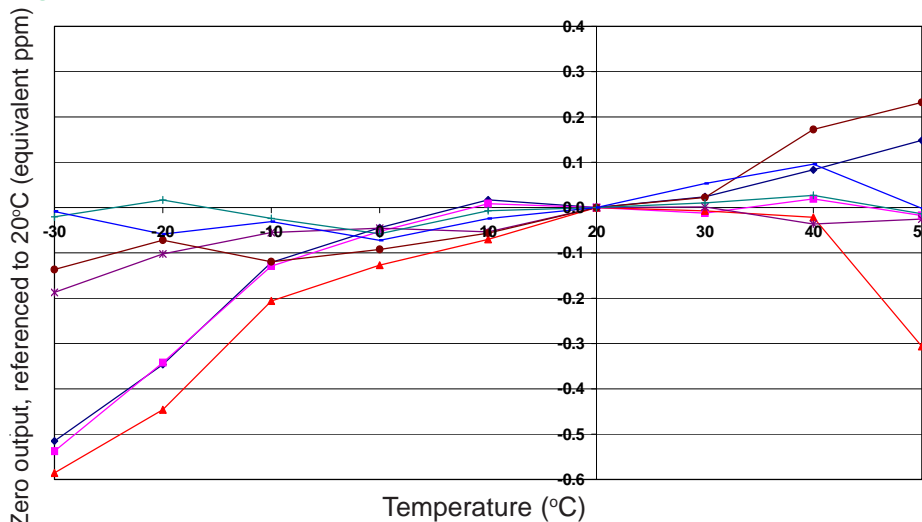


Figure 3 shows the variation in the zero by changes in temperature, expressed as equivalent ppm, referenced to zero at 20°C. This data is taken from a typical batch of sensors.

Figure 4 Load Resistor Dependence

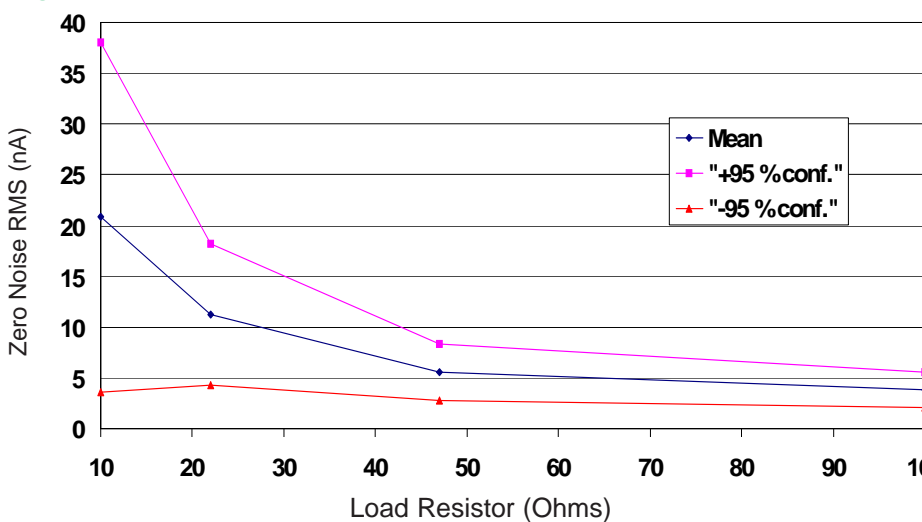


Figure 4 shows the effect of the load resistor on noise. Higher resistance reduces sensor noise, but also linearly increases response time.

ApolloSense Ltd