

PC Board Mountable Pressure Sensor

MODEL 1210 Low Pressure

PERFORMANCE SPECIFICATIONS

Supply Current: 1.5mA

Ambient Temperature: 25°C (Unless otherwise specified)

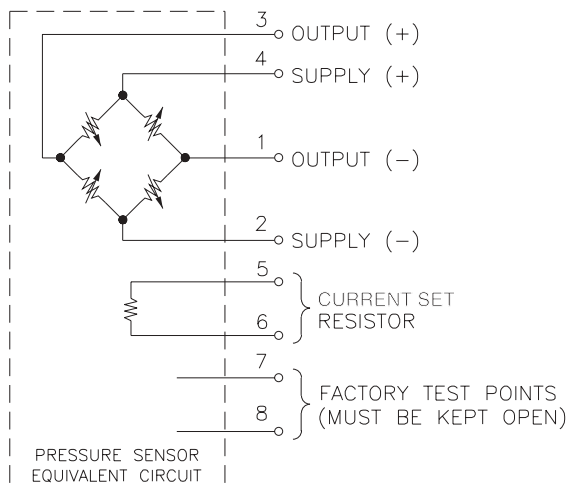
PARAMETERS	PRESSURE RANGE 0 -1 psi			UNITS	NOTES
	MIN	TYP	MAX		
Full Scale Output Span	65	100	150	mV	1
Zero Pressure Output			2	±mV	2
Pressure Non-linearity		0.2	0.3	±%Span	3
Pressure Hysteresis		0.01	0.05	±%Span	
Input & Output Resistance	2500	4400	6000	Ω	
Temperature Error - Span		0.5	1.0	±%Span	4
Temperature Error - Zero		0.5	1.0	±%Span	4
Thermal Hysteresis - Zero		0.1		±%Span	4
Supply Current		1.5	2.0	mA	
Response Time (10% to 90%)		1.0		mS	5
Output Noise		1.0		µV p-p	6
Output Load Resistance	2			MΩ	
Insulation Resistance (50 VDC)	50			MΩ	
Long Term Stability		0.2		±%Span/yr	
Pressure Overload			10	psi	
Operating Temperature	-40°C to +125°C				
Storage Temperature	-50°C to +150°C				
Media	Non-Corrosive Dry Gases Compatible with Wetted Materials				9
Weight	3 Grams				

Notes

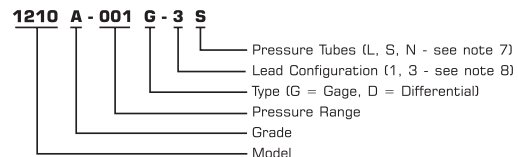
1. Output span of unamplified sensor.
2. For most models, compensation resistors are an integral part of the sensor package; no additional external resistors are required. Check specific product data sheets for details.
3. Best Fit Straight Line.
4. Temperature range: 0-50°C in reference to 25°C.

5. For a zero-to-full scale pressure step change.
6. 10 Hz to 1kHz.
7. Tube length: L=470 ± 5 mil, S=300 ± 3 mil, N=no tube.
8. Lead pins can either be in the same or the opposite direction as the pressure tube. See Dimensions drawing for lead configurations.
9. Wetted materials are glass, ceramic, silicon, RTV, nickel, gold, and aluminum.

CONNECTIONS



ORDERING INFORMATION



APPLICATION SCHEMATIC

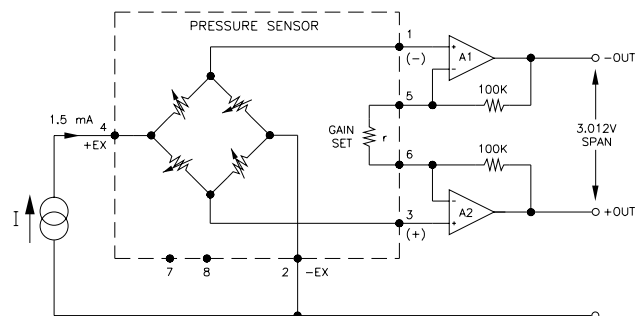


FIGURE 1: GAIN SET CIRCUIT

深圳市新世联科技有限公司