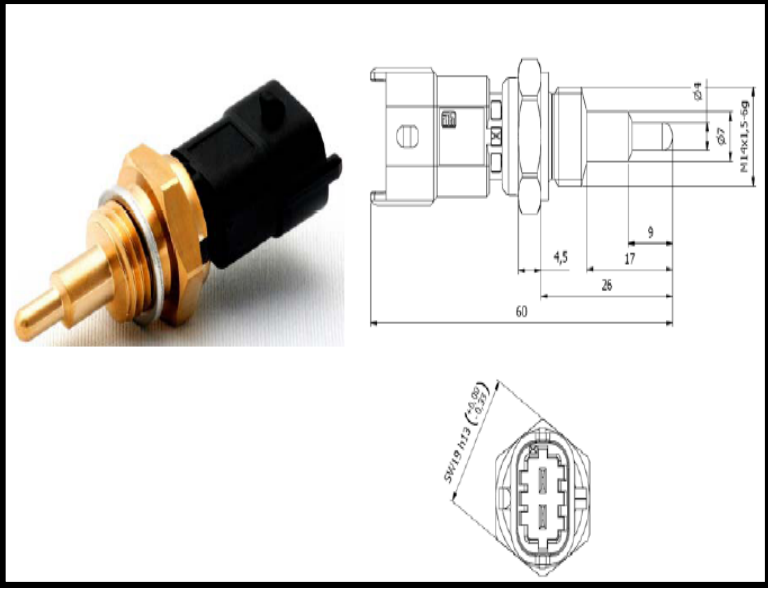


DATASHEET TEMPERATURE SENSOR



94085



Benefits

The SSTS-94085 temperature sensor is a sturdy design, has proven sealing concepts, fast response times and they are 100% tested in production.

Applications

These sensors are compatible with a wide range of coolant, motor oil, fuel and liquid applications.

ELECTRICAL AND MOUNTING SPECIFICATIONS

Nominal Resistance	2.055 Ohm (25°C), 186.5 Ohm (100°C)*
Temperature Range	-40°C to 150°C
Time of Response	T63 < 15s (water)
Thread	M14x1.5
Connector	Bosch Compact (D928, 002, 69A)
Sealing Ring	Al-seal, captive
Protection Range	IP6K9K
Product Code	94085

*Other resistant values on request

General Note: SST Sensing Ltd reserves the right to make changes in product specifications without notice or liability. All information is subject to SST's own data and considered accurate at time of going to print.

WARNING:
It is the customers responsibility to ensure that this product is suitable for use in their applications. For technical assistance or advice, please call us on +44(0)1698 740640 or email us: info@sstsensing.com