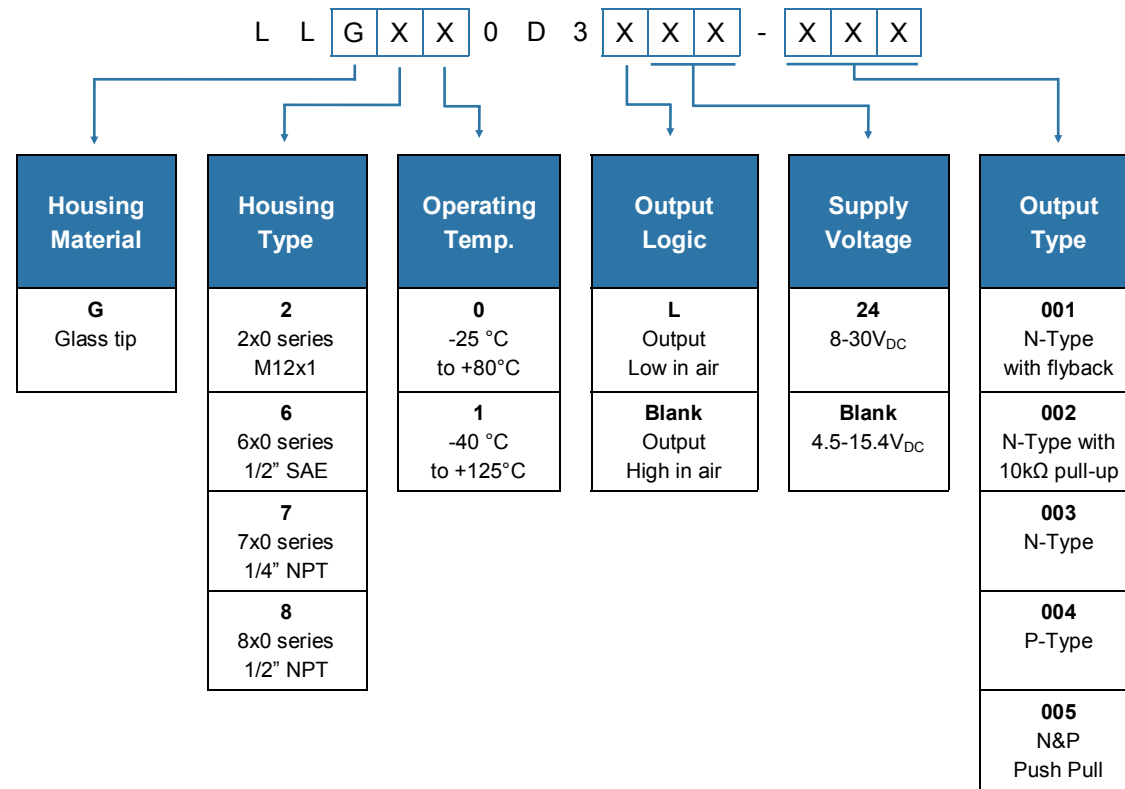


ORDER INFORMATION

Generate your specific part number using the convention shown below. Use only those letters and numbers that correspond to the sensor and output options you require — omit those you do not.



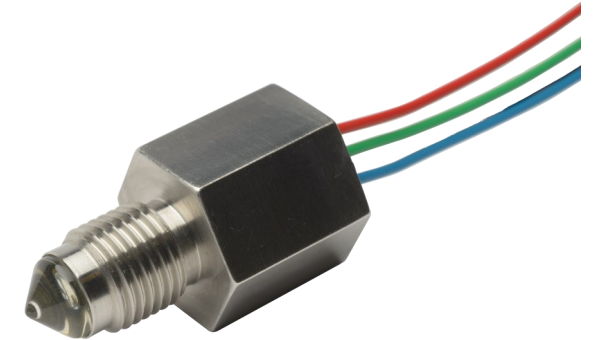
DATA SHEET

Liquid Level Switches

Glass Tip Series

FEATURES

- Liquid level switches that can detect almost any liquid type; oil or water based
- Suitable for harsh environments; robust stainless steel housing and glass tip
- Choice of mounting threads



Housing/ Mounting	Output Type / Logic	Supply Voltage	Output Current	Temp
<ul style="list-style-type: none"> M12x1 1/4" NPT 1/2" NPT 1/2" SAE 	<ul style="list-style-type: none"> N-TYPE P-TYPE PUSH PULL 1 HIGH IN AIR 0 LOW IN AIR 	<ul style="list-style-type: none"> 4.5 - 15.4 V VOLTAGE 8 - 30 V VOLTAGE 	<ul style="list-style-type: none"> UP TO 1A CURRENT 	<ul style="list-style-type: none"> -25°C to +80°C TEMPERATURE -40°C to +125°C TEMPERATURE

BENEFITS

- High power
- Industrial supply voltage
- Direct load drive

TECHNICAL SPECIFICATIONS

Supply voltage (Vs)	4.5V _{DC} to 15.4V _{DC}
	or 8V _{DC} to 30V _{DC}
Supply current (Is)	2.5mA max. (Vs = 15.4V _{DC})
	or 7.5mA max. (Vs = 30V _{DC})
Output sink and source current (Iout)	1A
Operating temperatures ¹	Standard: -25°C to +80°C Extended: -40°C to +125°C
Storage temperatures	Standard: -30°C to +85°C Extended: -40°C to +125°C
Operating pressure	0—85bar
Housing material	Stainless steel with glass tip
Sensor termination	20AWG, 250mm PTFE wires, 8mm tinned

OUTPUT VALUES

Output Voltage² (Vout): Iout = 1A	
Vs = 4.5—15.4V_{DC}	
Output High	Vout = Vs - 1.5V max
Output Low	Vout = 0V + 0.5V max
Output Voltage (Vout): Iout = 1A	
Vs = 8—30V_{DC}	
Output High	Vout = Vs - 1.8V max
Output Low	Vout = 0V + 0.7V max

Other sensor options available on request, email: support4@apollounion.com

Need help? Ask the expert
0755-83680810-819
and ask for "Technical"



CAUTION

Do not exceed maximum ratings and ensure sensor(s) are operated in accordance with their requirements.

Carefully follow all wiring instructions. Incorrect wiring can cause permanent damage to the device.

SST Sensing Ltd recommend using alcohol based cleaning agents. Do NOT use chlorinated solvents such as trichloroethane as these are likely to attack the sensor material.

Failure to comply with these instructions may result in product damage.

INFORMATION

As customer applications are outside of SST Sensing Ltd.'s control, the information provided is given without legal responsibility. Customers should test under their own conditions to ensure that the equipment is suitable for their intended application. Before use, check that the fluid in which you wish to use these devices is compatible with Stainless Steel and glass.

For technical assistance or advice, please email: support4@apollounion.com

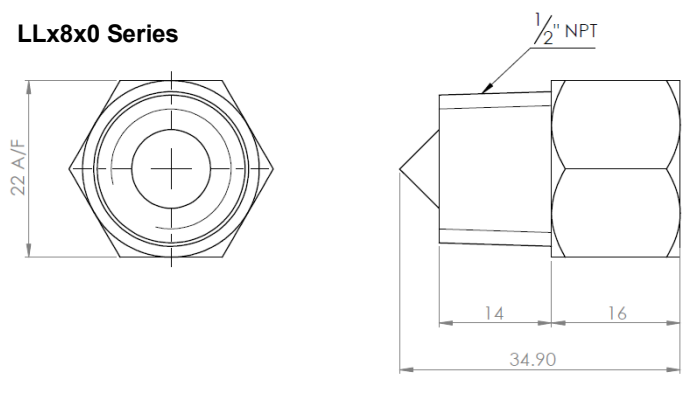
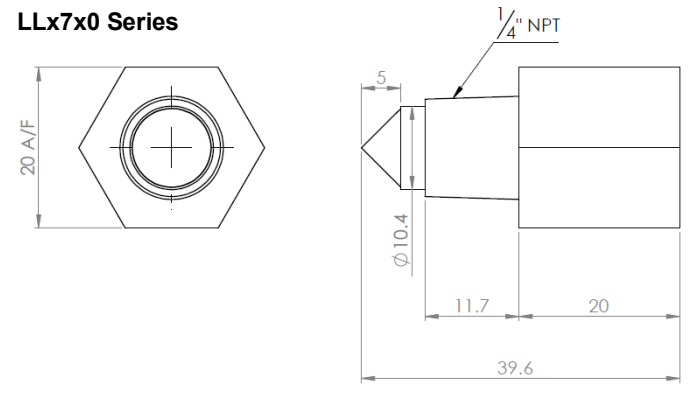
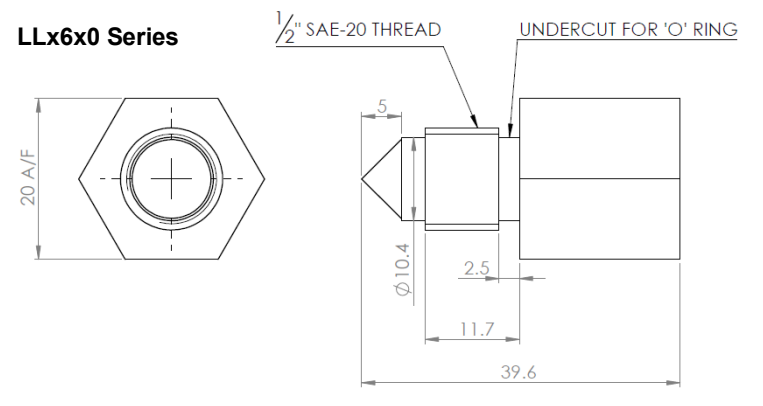
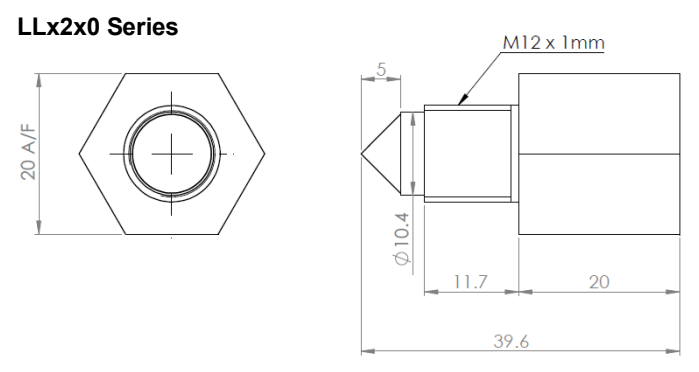
General Note: SST Sensing Ltd. reserves the right to make changes to product specifications without notice or liability. All information is subject to SST Sensing Ltd.'s own data and considered accurate at time of going to print.

深圳市新世联科技有限公司

深圳市新世联科技有限公司

OUTLINE DRAWING

All dimensions shown in mm. Tolerances = ±1mm.

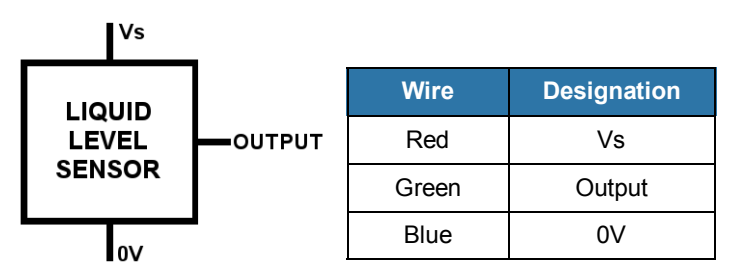


HOUSING SPECIFICATIONS

	Housing Series	
	2x0	6x0
Thread	M12x1x8g with hex nut ¹	1/2" SAE with O-ring ¹
Pressure ³	7 bar maximum	
Tightening Torque ⁴	1.5 Nm / 13.26 in-lbs max.	

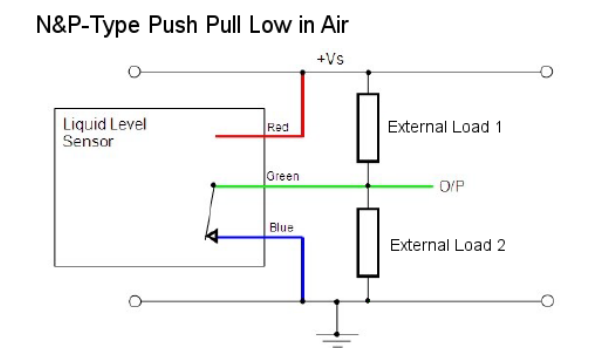
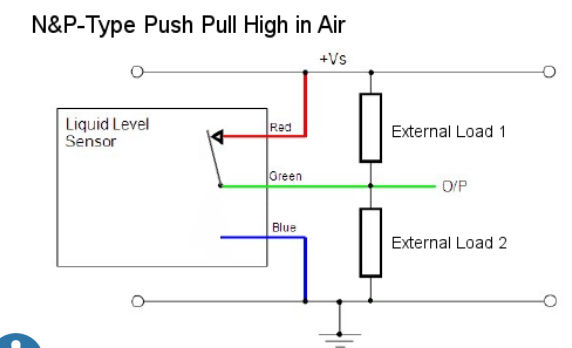
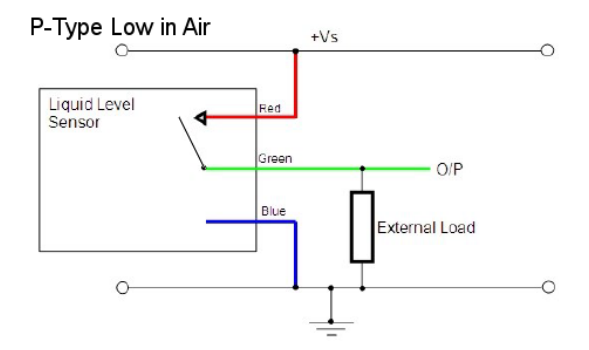
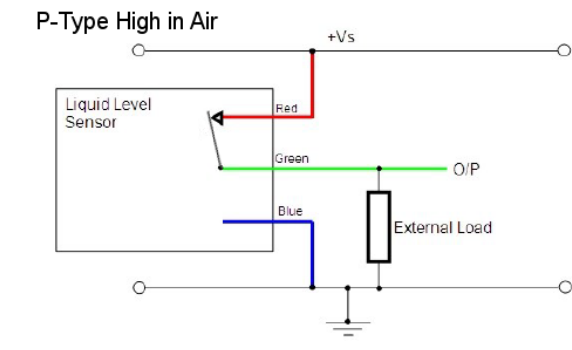
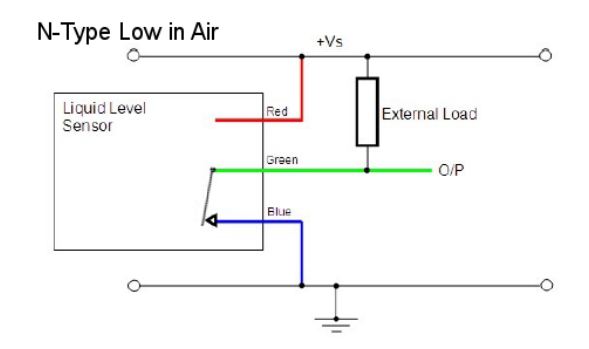
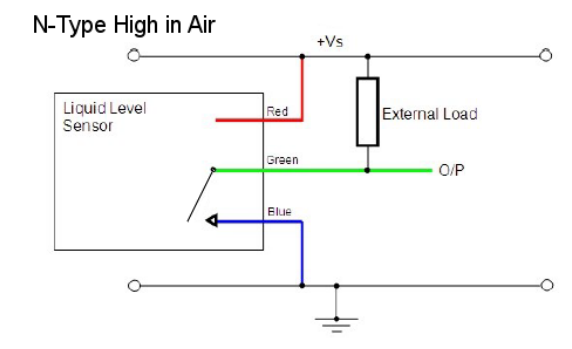
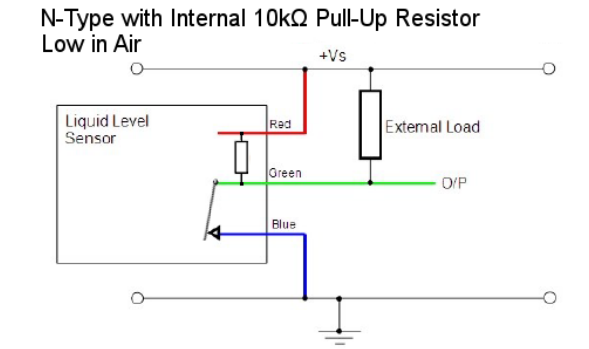
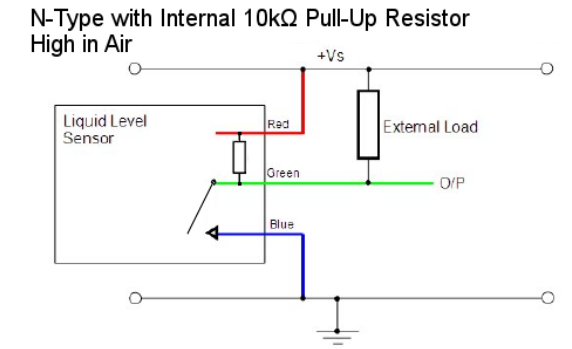
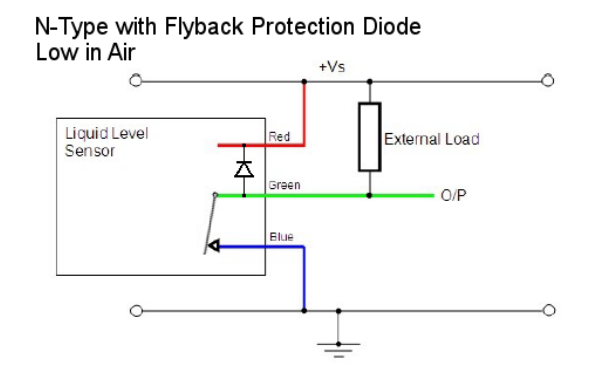
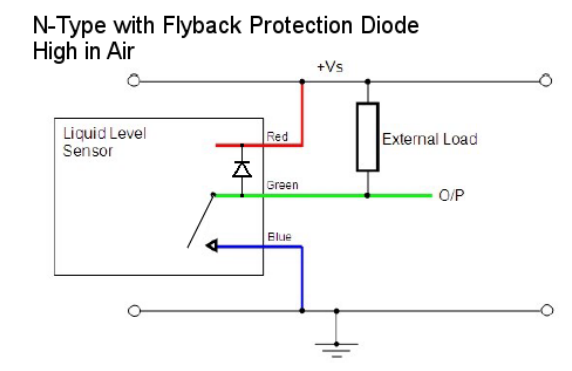
	Housing Series	
	7x0	8x0
Thread	1/4" NPT ²	1/2" NPT ²
Pressure ³	7 bar max.	85 bar max.
Tightening Torque ⁴	1.5 Nm / 13.26in-lbs max.	Hand-tighten, then torque one turn (max.) past engagement

ELECTRICAL INTERFACE



CIRCUIT DIAGRAMS

In order to suit any application, these sensors have been designed with various output circuit configurations. They are identified by the 3-digit code at the end of the part number as shown in [Order Information](#).



CAUTION: Take care when connecting loads. The minimum load impedance should not exceed Vs/max output current.

Note: Shorting the output to Vs or 0V will result in irreparable damage to the sensor.



- NOTES**
- 1) Hex nut and O-ring sold separately; email: support4@apolounion.com for details.
 - 2) NPT version can be sealed with a curing type thread sealant such as "Loctite 565" with primer "N". Do NOT use PTFE tape.
 - 3) When correctly sealed.
 - 4) Do NOT over-tighten as this can permanently damage the sensor.

深圳市新世联科技有限公司

深圳市新世联科技有限公司